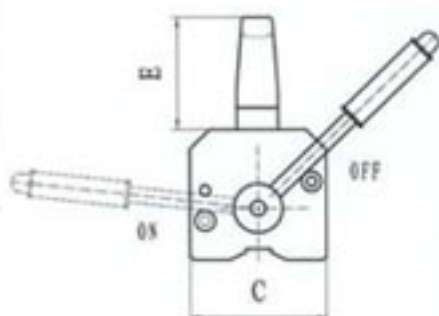
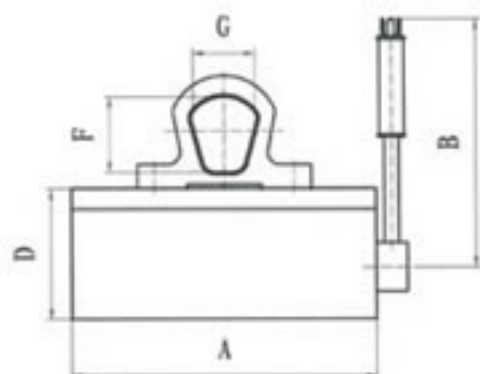




Características Técnicas





Model

Weight

Dimensions mm

| | N.W. (kg) | A | B | C | D | E | F | G |
|---------|--------------|-----|-----|-----|-----|-----|----|----|
| LM-100 | 3 | 86 | 150 | 66 | 67 | 63 | 35 | 43 |
| LM-300 | 9 | 180 | 168 | 80 | 80 | 63 | 35 | 43 |
| LM-600 | 20 | 250 | 198 | 107 | 103 | 88 | 52 | 60 |
| LM-1000 | 39 | 330 | 262 | 129 | 130 | 88 | 52 | 60 |
| LM-2000 | 78 | 415 | 370 | 170 | 170 | 122 | 64 | 87 |
| LM-3000 | 160 | 470 | 480 | 234 | 190 | 122 | 64 | 87 |

Load Características

| Type of load | Modelo | Load max kg | Espessura Mínima em mm | Length max mm |
|---|----------------------------|-------------|------------------------|---------------|
|  Plate | LM-100 | 100 | 15 | 1000 |
| | LM-300 | 300 | 20 | 1500 |
| | LM-600 | 600 | 30 | 2000 |
| | LM-1000 | 1000 | 40 | 3000 |
| | LM-2000 | 2000 | 45 | 3000 |
| | LM-3000 | 3000 | 55 | 3000 |
|  Round | Diâmetro Range (mm) | | | |
| | LM-100 | 100 | 30-100 | 1500 |
| | LM-300 | 150 | 40-300 | 1500 |
| | LM-600 | 300 | 70-400 | 2000 |
| | LM-1000 | 500 | 70-500 | 3000 |
| | LM-2000 | 1000 | 100-600 | 3000 |
| LM-3000 | 1500 | 100-800 | 3000 | |